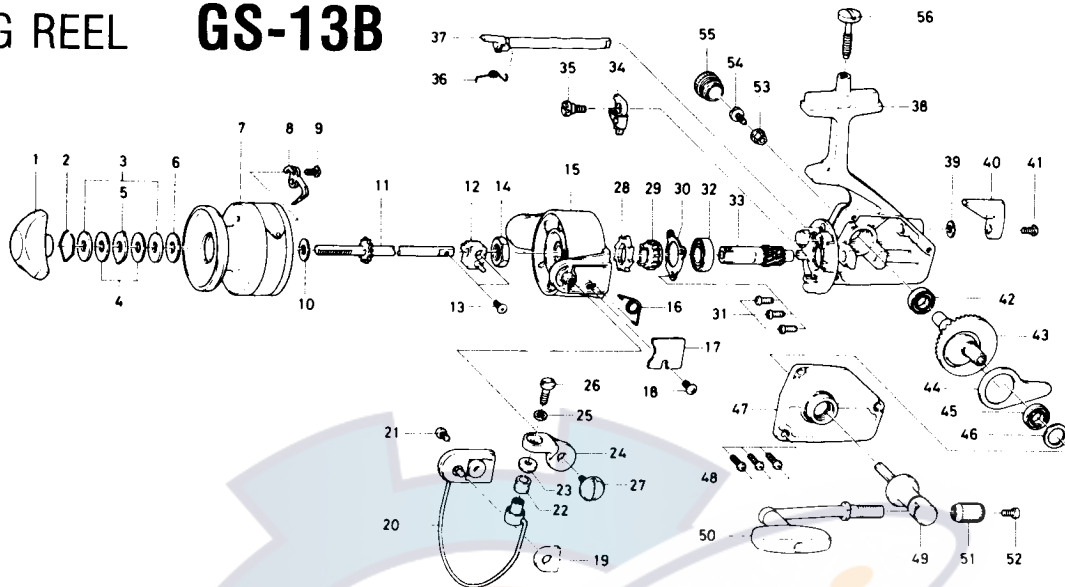


SPINNING REEL GS-13B



LINE CAPACITY: 200 YDS., 8 LB. TEST (185m. 3.6kg)

Key No. 2 ~ 9
 6-731-9907 Spool assembly \$9.50
 Key No. 49 ~ 52
 6-747-1802 Handle assembly 3.85

Key No.	Parts No.	Parts Name	Price Per Piece	Key No.	Parts No.	Parts Name	Price Per Piece
1	6-740-2702	Drag knob	\$1.70	29	6-270-8401	Click gear	\$.40
2	6-170-4001	Drag washer retainer	.10	30	6-321-0201	Ball bearing ret. washer	.15
3	6-373-2502	Drag D washer	.15	31	6-351-0901	Ball bearing ret. washer screw	.10
4	6-374-2901	Disc washer	.20	32	6-635-4801	Ball bearing	4.00
5	6-375-5301	Drag A washer	.15	33	6-402-8701	Pinion gear	1.80
6	6-370-6901	Drag washer A	.15	34	6-770-1601	Anti-reverse claw	1.10
7	6-732-0004	Spool	N/A	35	6-363-7101	Anti-reverse claw screw	.25
8	6-030-4511	Spool click claw	.10	36	6-144-0301	Anti-reverse cam spring	.15
9	6-351-7701	Spool click claw screw	.10	37	6-461-5901	Anti-reverse cam	.80
10	6-374-9002	Spool washer	.10	38	6-701-0601	Body	8.00
11	6-711-3201	Main shaft	1.00	39	6-371-6903	Anti-reverse lever washer	.10
12	6-637-0101	Oscillating support	.70	40	6-540-8001	Anti-reverse lever	.15
13	6-351-5311	Oscillating slider screw	.10	41	6-352-2501	Anti-reverse lever screw	.10
14	6-340-8301	Rotor nut	.20	42	6-634-1301	Ball bearing	3.00
15	6-202-0101	Rotor	4.20	43	6-413-7701	Drive gear	1.90
16	6-142-6721	Bail spring	.10	44	6-481-2101	Oscillating slider	.45
17	6-634-1501	Bail spring cover	.15	45	6-634-1301	Ball bearing	3.00
18	6-351-1801	Bail spring cover screw	.10	46	6-372-8600	Drive gear washer	.10
19	6-210-3701	Balancer	.35	47	6-706-7301	Body cover	2.85
20	6-725-6011	Bail	1.95	48	6-351-7801	Body cover screw	.10
21	6-351-6601	Bail holder screw	.10	49	6-747-2601	Handle stand	1.75
22	6-250-4201	Line roller	.30	50	6-747-1901	Handle arm	2.25
23	6-501-1601	Roller collar	.20	51	6-342-3001	Handle arm ret. nut	.50
24	6-231-1701	Arm lever	.40	52	6-353-0701	Handle arm ret. nut screw	.10
25	6-375-1001	Bail washer	.10	53	6-501-8501	Handle screw holder	.50
26	6-353-1811	Bail screw	.20	54	6-363-8501	Handle screw	.15
27	6-363-5201	Arm lever screw	.45	55	6-363-6001	Handle screw cap	.55
28	6-280-7901	Ratchet	.70	56	6-363-6701	Reel retaining screw	.70